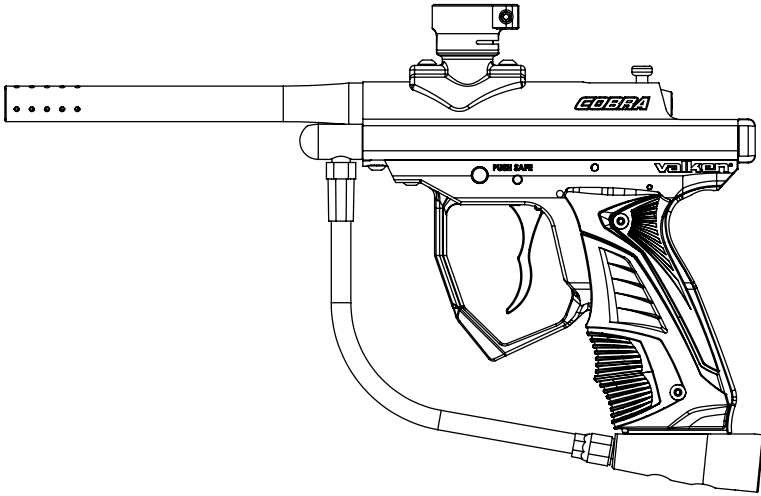


COBRA

MANUAL

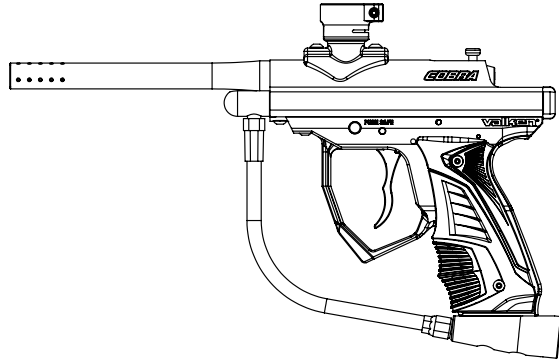


valken

**1 Hawk, Court
Swedesboro, NJ, 08085
856 812 2800
www.valken.com**

Warning Read Manual Before Use

This paintball marker is not a toy. Misuse of this product could result in serious injury or death. Proper face, throat, ear, and eye protection designed specifically for paintball must be worn by the user and persons within range. Recommend 18 years of age or older to purchase. Persons under 18 years of age must have adult supervision.



Using your Cobra Paintball Marker

Before beginning setup, locate the trigger safety pin above the trigger. Make sure the trigger safety is pushed in on the left hand side of the marker so that the marker is not accidentally discharged during setup.

Barrel Installation

1. Make sure the marker is degassed and that the hopper is removed. Make sure that no paintballs are in the feed port or breech. Confirm that the safety is set to "safe" mode.
2. While pointing marker in a safe direction, place the threaded end of the barrel into the front opening of the marker body.
3. Turn the barrel clockwise until it stops. Do not turn the barrel with too much force, just allow the threads to draw the barrel in until it stops. Do not over tighten.
4. Immediately install a barrel blocking device. A blocking device is any device that prevents the accidental discharge of a paintball, such as a barrel plug.

Loader Installation

1. Loosen the feedneck allen screw.
2. Insert the loader into the opening of the feedneck until it bottoms out.
3. Align the loader so that the lid is to the rear.
4. Using an allen wrench tighten until loader is secure.

Air Cylinder Installation

1. With a barrel blocking device properly installed, point the marker in a safe direction. Pull the cocking knob located on the top of the marker back until it clicks and stops. This will cock the marker. Release the cocking knob and the marker is now cocked.
2. Locate the air source adapter at the base of the grip frame.
3. Position the marker so that the air source adapter is pointed upwards and make sure that the barrel of the marker is pointed down.
4. Insert the end of the threaded cylinder valve into the adapter.
5. Do not push the cylinder, but slowly twist the cylinder clockwise. Allow the threads to draw the cylinder into the marker until it stops. Once it stops, the marker is charged.

Firing your Cobra Paintball Marker

1. Make sure eye protective devices designed specifically for paintball use are worn by the operator and anyone within range.
2. While pointing the marker in a safe direction, remove the barrel blocking device.
3. Push the trigger safety to the "fire" mode by pushing it in on the right side of the marker. The red o-ring will now be visible on the left side and the marker is in "fire" mode.
4. Aim your marker at a safe target and pull the trigger.
5. When finished shooting, return the trigger safety to the "safe" mode and replace the barrel blocking device.

Velocity Adjustment

- a. Do not adjust the velocity without using a chronograph designed to measure the velocity of a paintball. Adjusting the velocity without using a paintball-specific chronograph may cause unsafe paintball speeds, which may result in serious injury or death.
- b. Make sure eye protective devices designed specifically for paintball use are worn by the operator and anyone within range.
 1. Point the marker in a safe direction. Then, remove the barrel blocking device.
 2. Aim your marker barrel over the chronograph.
 3. Set the trigger safety to fire by pushing the safety pin in on the right side of the marker.
 4. Pull the trigger once and observe the reading on the chronograph.
 5. Locate the velocity adjuster screw recessed on the rear of the paintball marker receiver.
 6. To increase or decrease the velocity of the paintballs discharged from a marker, use a 5/32" Allen wrench to turn the screw counter clockwise to reduce velocity and clockwise to increase velocity.
 7. When finished, set the trigger safety pin to safe mode by pushing the safety pin in on the left side of the marker, and replace the barrel blocking device.

*Note: When adjusting the velocity, make small adjustments, testing after each adjustment. When reducing velocity, it may be necessary to make several adjustments before a reduction in velocity is achieved.

Storing your Cobra Paintball Marker

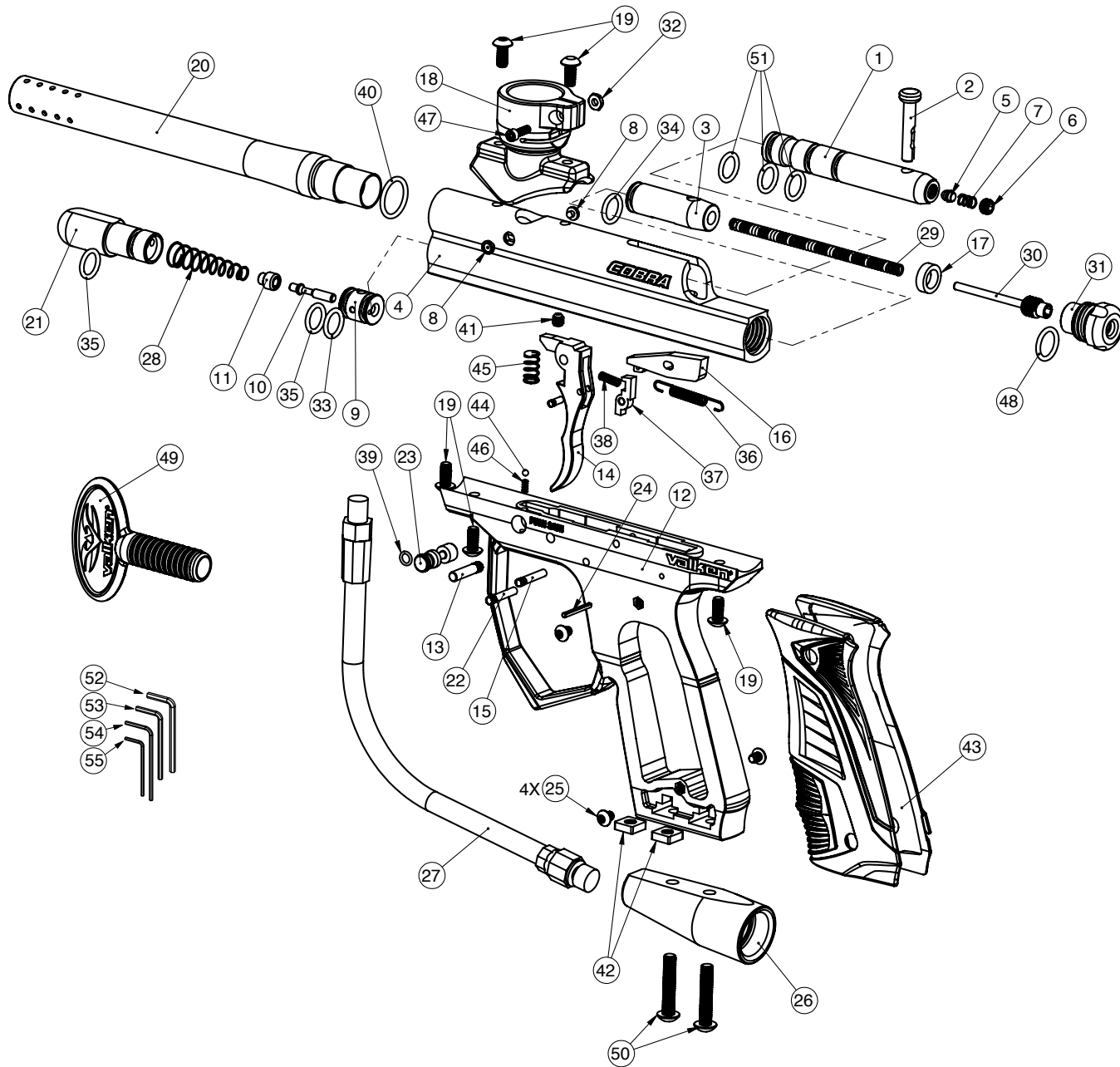
When play is done for the day, proper storage of the marker is essential to maintain proper function and extend the life of the marker.

1. Make sure eye protective devices designed specifically for paintball use are worn by the operator and anyone within range.
2. Empty the paintballs from the loader and remove the loader from the feed neck.
3. Point the marker in a safe direction and set the trigger safety pin to "fire" mode.
4. Remove the barrel blocking device and fire the marker in a safe direction until it is empty of paintballs.
5. Unscrew and remove the barrel.
6. Slowly unscrew and remove the air cylinder. Make sure the air cylinder does not separate from its valve/regulator.
7. Aim the marker in a safe direction and pull the trigger once to move the cocking bolt to the forward position.
8. Set the safety to "safe" mode.
9. The marker is now ready to be cleaned or put away for future use.

Cobra Paintball Marker Schematics

1. BOLT
2. PIN QUICK RELEASE
3. HAMMER
4. MAIN BODY
5. QUICK RELEASE DETENT
6. BOLT SET SCREW M6 X4
7. QUICK RELEASE DETENT SPRING
8. BALL DETENT
9. VALVE
10. VALVE PIN
11. CUP SEAL
12. TRIGGER FRAME
13. TRIGGER DOWEL PINS
14. TRIGGER
15. SEAR PIN
16. SEAR
17. BUMPER
18. FEED ELBOW
19. SCREW SHCS 8-32 X3/8
20. BARREL
21. TRANSFERTUBE
22. TRIGGER DOWEL PINS
23. SAFETY CATCH BACK STOP
24. SPRING PIN
25. GRIP SCREWS
26. ASA
27. BRAIDED STEEL HOSE
28. VALVE SPRING
29. BOLT SPRING
30. VELOCITY ADJUSTER
31. BACK CAP
32. NUT 4-40
33. O-RING BUNA 012
34. O-RING VITON 70A -012
35. O-RING PU90A - 012
36. SPRING SEAR
37. TRIGGER CATCH
38. CATCH SPRING
39. O-RING 1MM X3
40. O-RING -015
41. TRIGGER SET SCREW 10-32 X 1/4
42. GRIP SCREW
43. GRP

44. SAFETY DETENT
45. TRIGGER RETURN SPRING
46. SAFETY DETENT SPRING
47. SCREW 4-40 X 3/8
48. O-RING -014
49. BARREL PLUG
50. ASA SCREWS
51. ORING-011
52. ALLEN KEY 1/8
53. ALLEN KEY 3MM
54. ALLEN KEY 3/32
55. ALLEN KEY 5/64



Cobra Paintball Marker Specifications

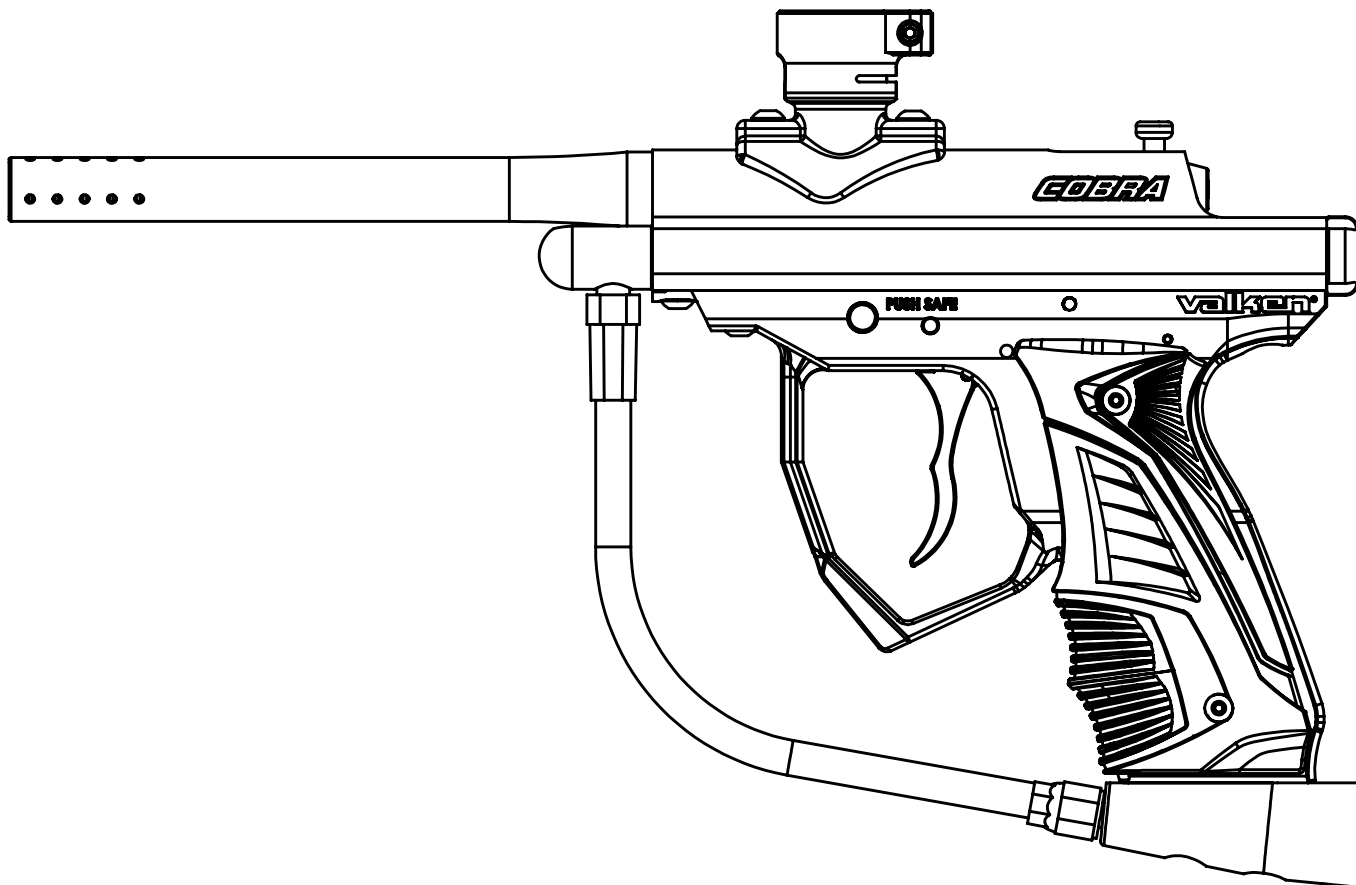
Thank you for purchasing the Cobra Paintball Marker by Valken Paintball. The Paintball Marker was designed to be a durable paintball marker for players of all experience levels in all conditions and be easy to maintain.

Specifications

Caliber.....	0.50
Action.....	Semi-Automatic
Barrel	Removable 6" ported
Power.....	CO2 or Compressed Air (High Output)
Construction.....	Aluminum & Polymer
Velocity	Up to 300 Feet Per Second (FPS)
Effective Range	125+ feet

Rules of Safe Marker Handling

1. Treat every marker as if it were loaded.
2. Never look down the barrel of a paintball marker.
3. Keep your finger off the trigger until ready to shoot.
4. Never point the marker at anything you don't wish to shoot.
5. Keep the marker on "safe" until ready to shoot.
6. Keep the barrel blocking device in the marker's muzzle when not shooting.
7. Always remove paintballs and propellant source before disassembly.
8. After removing propellant source, point marker in safe direction and discharge until marker is degassed.
9. Store the marker unloaded and degassed in a secure place.
10. Follow warnings listed on propellant source for handling and storage.
11. Do not shoot at fragile objects, such as windows.
12. Every person within range must wear eye, face, and ear protection designed specifically to stop paintballs and meeting ASTM standard F1776.
13. Always measure your marker's velocity before playing paintball and never shoot at velocities in excess of 91.44 meters (300 feet/per- second).
14. Do not use this marker to shoot at a target closer than 20 feet.





LIMITED WARRANTY

Valken Paintball guarantees the Cobra Paintball Marker against defects in material and or workmanship of this marker for twelve (12) months from the original date of purchase by the original retail purchaser. To activate your warranty, fill out the warranty card and mail it, along with a copy of the original purchase receipt. In the event that a part is defective, Valken will send out a replacement part free of charge. Wearable items such as o-rings, screws, ball detents are not covered under this warranty. Failure of any part due to an accident, abuse, neglect, modification, misuse, operator error, lack of maintenance, or use of parts inconsistent with the use originally intended for the marker as sold is not covered by this warranty.

Valken makes no other warranties or guarantees, expressed or implied for this marker. Valken limits its sole and exclusive liability and that of its authorized dealers, affiliates, or agents pursuant to this warranty to cover repair or replacement of the defective part. Incidental and consequential damages are expressly excluded hereunder. Valken Paintball, its authorized dealers, affiliates, or agents, will not be liable under this warranty, nor under any state or federal law, or the common law or otherwise for any damage or failure, including personal injury, resulting from such use and/or alteration. This warranty gives you specific legal rights, and additional rights vary from state to state.

Warranty Registration Card

Name _____

Address _____

City _____

State/Province _____

Zip Code _____

Country _____

Phone _____

E-Mail _____

Purchased from _____

Store location _____

Purchase price _____

For warranty parts, service or information contact:

Valken • 1 Hawk Court • Swedesboro, NJ 08085

(856) 812-2800 • www.valken.com